

## SYMETRICS Wall-mounted basin spout without pop-up waste - Brushed Platinum

---

13 800 740



- 125mm projection
- fixed spout
- rectangular, air-enriched flow
- hole diameter 37 mm
- 1/2" connection
- plug-link mounting
- max. flow 5 l/min
- lead-free

The mounting height from the top edge of the basin to the centre of the connection should be at least 125 mm. The front edge of the spout should be at least 20 mm in front of the back edge of the sink.

For Touchfree control please order eSet Touchfree WITH or WITHOUT temperature adjustment

### Recommended miscellaneous

---



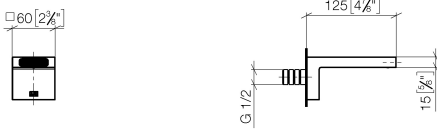
**Concealed wall elbow -**

- max. recess depth 163 mm
- min. recess depth 90 mm

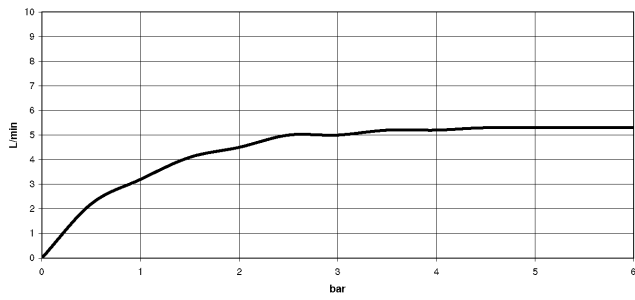
35 085 970 90

**SYMETRICS Wall-mounted basin spout without pop-up waste - Brushed  
Platinum**

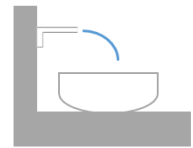
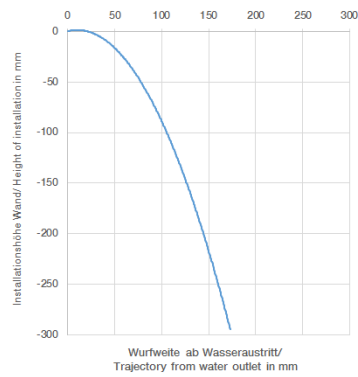
13 800 740  
mm [inches]



Flow rate chart

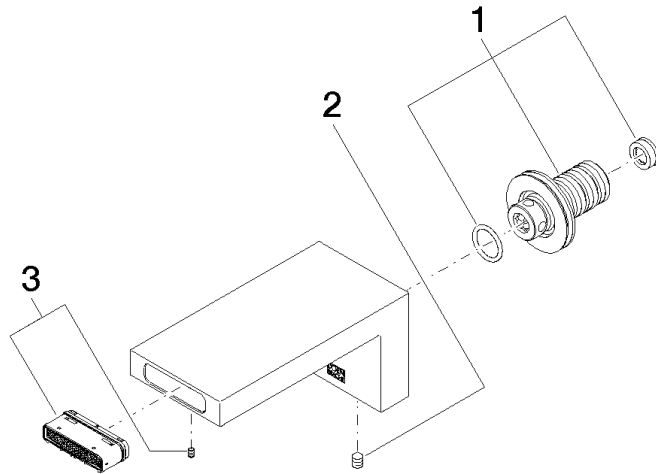


Trajectory diagram



**SYMETRICS Wall-mounted basin spout without pop-up waste - Brushed Platinum**

13 800 740



**Spare parts list**

| No. | Item Number        | Name       | Quantity used | Delivery time |
|-----|--------------------|------------|---------------|---------------|
| 1   | 90 24 03 108 00 90 | nipple set | 1             | 2             |
| 2   | 90 31 11 004 00 90 | pin        | 1             | 2             |
| 3   | 90 29 03 067 00 90 | aerator    | 1             | 2             |